

## Chapter Contents

### Cable/Power Management

#### Open-Frame Rack Cable Managers

CABLETEK™ Horizontal Cable Manager	2
CABLETEK™ Vertical Cable Manager	4
CABLETEK™-EC Vertical Cable Manager	6
CABLETEK™ Post and Gate Kits	8
Rear Cover	8
Waterfall Top	9
D-Ring Assembly	9
Tie-Down Panel	9
Tie-Down Rack	10
Wire Form Cable Manager	10
Cable Trough	10
Cable Manager	11
Horizontal Cable Management Cover	11
Horizontal Cable Manager Bar	11

#### Cabinet and Rack Cable Managers

D-Ring Cable Managers	12
Universal D-Ring Bracket	12
Fiber Management Spool	12
Universal Transition Bracket	13
Cable Spools	13
VELCRO Cable Wrap	13

#### Power Distribution Units (PDUs)

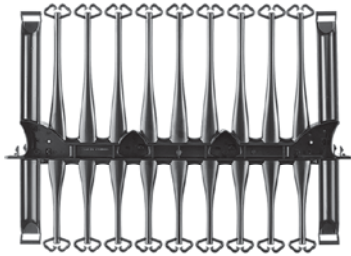
Rack- and Panel-Mount Power Distribution Units (PDUs)	14
Universal Power Strip Bracket	15
IEC Cord Sets	15
IEC C-13 Retaining Clip	15
Rack-Mount PDU Bracket	15
Smart Power Distribution Unit and Environmental Monitor	16
Control PDU	16
Master PDU	17
Satellite PDU	17
Compact Environmental Monitor	18
19-in. Rack-Mount Environmental Monitor	18
Remote Temperature Sensor	19
Remote Door Position Sensor	19
Remote Water Sensor	19
Web-Enabled Camera with Motion Detection	19
Smoke Alarm Kit	19
City Power Monitor	20
Remote Display	20
5-Way Splitter	20
Sensor Connection Summary	21
Smart PDU Software Application	22
Smart PDU Component Application	23

## Open-Frame Rack Cable Managers

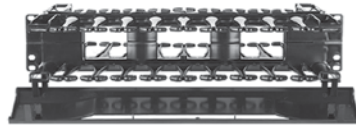
### CABLETEK™ Horizontal Cable Manager



DCHD2 shown

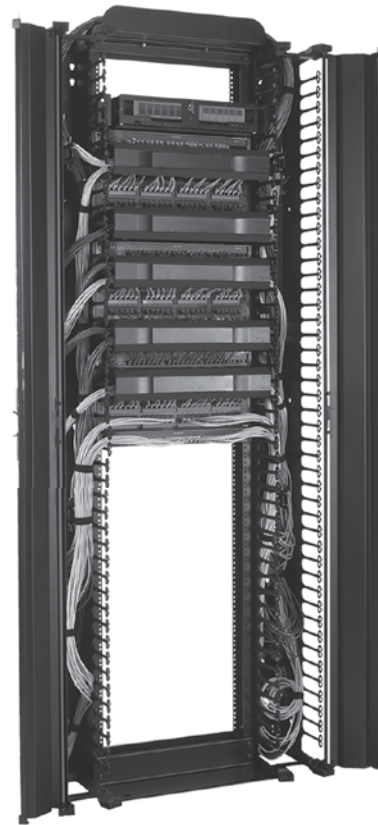


Arrowhead fingers funnel cable into base and hold it securely



Large pass-through holes facilitate efficient cable routing

Vertical and horizontal cable manager system installed on a 2-post rack. Vertical and horizontal cable managers work together to make an orderly installation.



#### Industry Standards

EIA 310-D

#### Application

This cable manager features heavy-duty endposts, arrowhead fingers and tool-less mounting to easily route Cat 5e, 6 and 6A cable horizontally in standard 19-in. cabinets or on 2- or 4-post open frame racks.

#### Features

- Snap-in mounting provision holds cable manager in place while mounting screws are installed
- Robust arrowhead fingers are shaped to funnel cables into base and are made of black composite material
- Robust rounded end posts support cable as it enters and leaves cable manager and maintains proper cable bend radius
- Deep cable compartments allow maximum cable density
- Rounded edges throughout protect cable jackets from damage
- Pass-through holes on double-sided models protect cable while facilitating routing between front and back sides

- Single- and double-sided units provide high cable capacity, including 5e, 6 and 6A cables
- 1 RU and 2 RU heights allow greater flexibility in optimizing rack capacity
- Removable hinged cover opens top or bottom, snaps closed for assured cable protection and professional appearance
- Double-sided model has covers on both front and back
- Covers stay open during installation and maintenance procedures
- Horizontal and vertical cable managers designed as a system for streamlined appearance and improved functionality
- Combination head 10-32 and 12-24 screws included for mounting

#### Specifications

- Made of UL listed black composite material

#### Finish

Low gloss, matches look of RAL 9005 textured paint

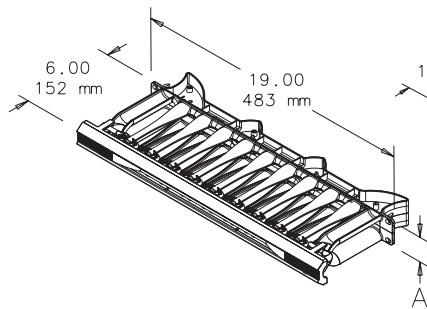
Bulletin: DACCY

## Open-Frame Rack Cable Managers

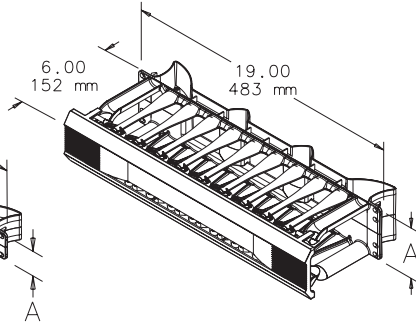
### Standard Product **CABLETEK™** Horizontal Cable Managers; 60% Cable Manager Fill Rate

Catalog Number	Description	Rack Units	A in./mm	Front Cross-Section Area (in. <sup>2</sup> )	Front Cable Fill Rate 60% 5e Cable (0.22-in. dia.)	Front Cable Fill Rate 60% 6 Cable (0.25-in. dia.)	Front Cable Fill Rate 60% 6A Cable (0.30-in. dia.)	Back Cross-Section Area (in. <sup>2</sup> )	Back Cable Fill Rate 60% 5e Cable (0.22-in. dia.)	Back Cable Fill Rate 60% 6 Cable (0.25-in. dia.)	Back Cable Fill Rate 60% 6A Cable (0.30-in. dia.)
DCHS1	Single sided	1	1.75 44	4.2	66	57	35	—	—	—	—
DCHS2	Single sided	2	3.50 89	13.2	208	161	112	—	—	—	—
DCHD2	Double Sided	2	3.50 89	13.2	208	161	112	14.1	223	172	119

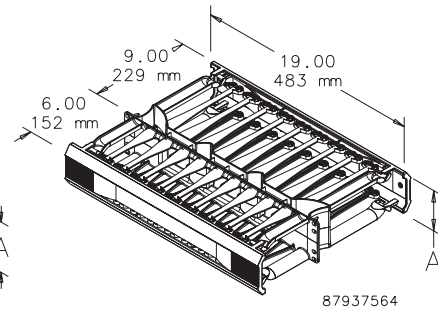
Single-Sided  
1 RU Cable Manager



Single-Sided  
2 RU Cable Manager

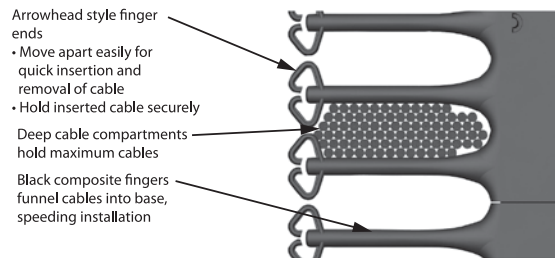


Double-Sided  
2 RU Cable Manager



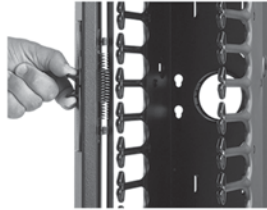
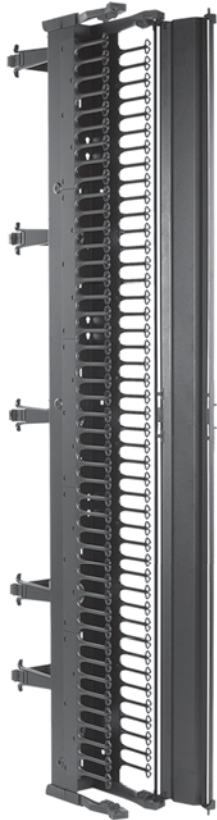
### Arrowhead Cable Capacity; 60% Fill Rate

Location	Cross-Section Area (in. <sup>2</sup> )	5e Cable (0.22-in. dia.)	6 Cable (0.25-in. dia.)	6A Cable (0.30-in. dia.)
Front	5.52	90	67	46
Back	9.27	145	113	78



## Open-Frame Rack Cable Managers

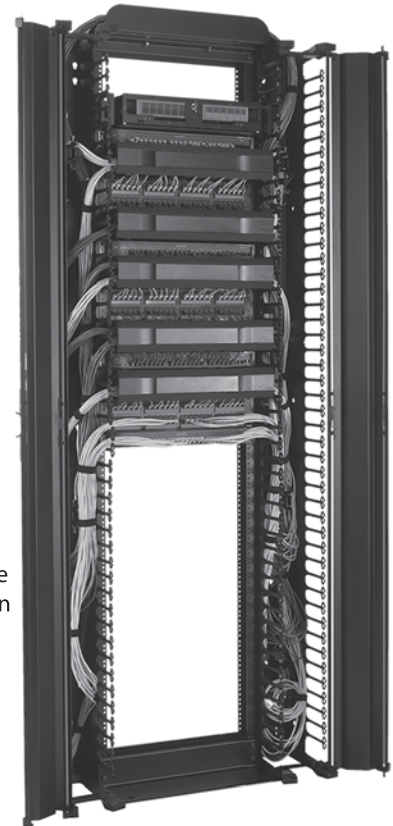
### CABLETEK™ Vertical Cable Manager



Spring loaded central latch operates easily and fastens securely. Pass-through holes facilitate efficient cable routing.



Tie-down loops accept Velcro™ Cable Wraps



Vertical and horizontal cable manager system installed on a 2-post rack. Vertical and horizontal cable managers work together to make an orderly installation.

#### Industry Standards

EIA 310-D

#### Application

Available in single- and double-sided models, this vertical cable manager mounts on the sides of or between 2- and 4-post open frame racks. The front side of the manager provides support, management and high capacity for patch cords, while the back supports Cat 5e, 6, 6A and fiber optic cables.

#### Features

- Easily removable one-piece front cover with access from right or left as needed opens 180° to allow full access to cables
- Self-aligning bolt locations minimize lifting and speed installation
- Self-captivating fasteners; bolt doesn't turn while tightening nut
- Generous finger depth allows for maximum cable density and allows smooth transitions from vertical to horizontal positions
- Unobstructed cable access to rack equipment—no keep-out areas
- Rounded edges on composite material and grommets protect cable jackets from damage
- Robust arrowhead high fingers are shaped to funnel cables into base and are made of black composite material
- Cable tiedown points provided on back
- Pass-through holes protect cable while facilitating routing between front and back

- Single central door latch allows quick and easy access to cables
- Double-sided models include five posts and gates that can be positioned as needed to support and contain cables. Additional posts and gates available as accessories.
- Posts snap into prepunched holes in the back of the cable manager
- Gates snap onto posts, open from left or right as needed and swing 280° for cable access. Posts can be used alone as slack spools to control long patch cords.
- Horizontal and vertical cable managers designed as a system for streamlined appearance and improved functionality

#### Specifications

- Front door and cable channel made of multi-formed lightweight aluminum
- Hinge points and supporting fingers made of high-strength composite material

#### Finish

Aluminum components are coated with RAL 9005 black low-gloss lightly-textured polyester powder paint. Composite parts have a low-gloss finish that matches look of RAL 9005 textured paint.

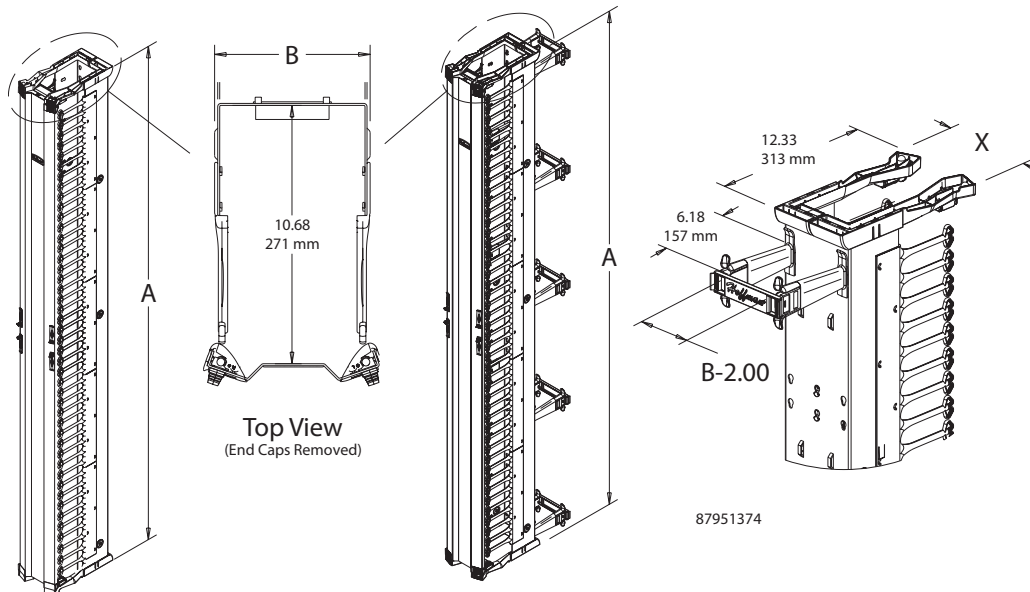
**Bulletin: DOFRY**

# Open-Frame Rack Cable Managers

## Standard Product Vertical Cable Manager

Catalog Number	Description	Fits Rack		A (in.)	A (mm)	B (in.)	B (mm)	X (in.)	X (mm)
		Height (ft.)	Rack Units						
DV6S7	Single Sided	7	45 U	84.00	2134	6.25	159	7.12	183
DV10S7	Single Sided	7	45 U	84.00	2134	10.25	260	11.21	285
DV12S7	Single Sided	7	45 U	84.00	2134	12.25	311	13.21	336
DV6D7	Double Sided	7	45 U	84.00	2134	6.25	159	7.12	183
DV10D7	Double Sided	7	45 U	84.00	2134	10.25	260	11.21	285
DV12D7	Double Sided	7	45 U	84.00	2134	12.25	311	13.21	336
DV6S8	Single Sided	8	51 U	96.00	2438	6.25	159	7.12	183
DV10S8	Single Sided	8	51 U	96.00	2438	10.25	260	11.21	285
DV12S8	Single Sided	8	51 U	96.00	2438	12.25	311	13.21	336
DV6D8	Double Sided	8	51 U	96.00	2438	6.25	159	7.12	183
DV10D8	Double Sided	8	51 U	96.00	2438	10.25	260	11.21	285
DV12D8	Double Sided	8	51 U	96.00	2438	12.25	311	13.21	336
DV6S9	Single Sided	9	58 U	108.00	2743	6.25	159	7.12	183
DV10S9	Single Sided	9	58 U	108.00	2743	10.25	260	11.21	285
DV12S9	Single Sided	9	58 U	108.00	2743	12.25	311	13.21	336
DV6D9	Double Sided	9	58 U	108.00	2743	6.25	159	7.12	183
DV10D9	Double Sided	9	58 U	108.00	2743	10.25	260	11.21	285
DV12D9	Double Sided	9	58 U	108.00	2743	12.25	311	13.21	336

B dimension represents the mounting space between ganged open-frame racks.

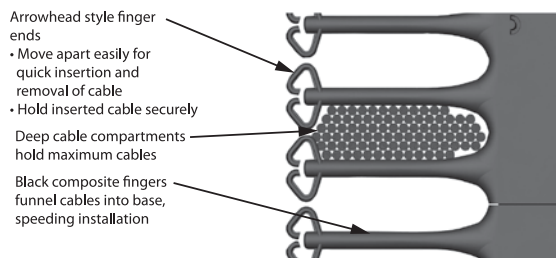


### Cable Manager Cable Capacity; 60% Fill Rate

Cable Manager Width (inch)	Front Cross-Section Area (in. <sup>2</sup> )	Front Cable Fill Rate 60% 5e Cable (0.22-in. dia.)	Front Cable Fill Rate 60% 6 Cable (0.25-in. dia.)	Front Cable Fill Rate 60% 6A Cable (0.30-in. dia.)	Back Cross-Section Area (in. <sup>2</sup> )	Back Cable Fill Rate 60% 5e Cable (0.22-in. dia.)	Back Cable Fill Rate 60% 6 Cable (0.25-in. dia.)	Back Cable Fill Rate 60% 6A Cable (0.30-in. dia.)
	6.00	58.1	917	710	493	27.9	441	341
10.00	100.8	1592	1232	855	51.7	816	631	439
12.00	122.1	1928	1492	1036	64.0	1011	782	543

### Arrowhead Cable Capacity, 60% Fill Rate

Cross-Section Area (in. <sup>2</sup> )	5e Cable (0.22-in. dia.)	6 Cable (0.25-in. dia.)	6A Cable (0.30-in. dia.)
5.44	85	66	46



## Open-Frame Rack Cable Managers

### CABLETEK™-EC Vertical Cable Manager



#### Application

Attach CABLETEK™ -EC Vertical Cable Managers to the sides and/or in between open-frame racks to economically provide support, easy access and proper cable management with easy cable installation for Network rack-mount equipment. The front side provides support, management and high cable capacity for patch cords with easy-to-remove front covers standard. The rear of the manager provides the same support for horizontal cabling (Cat 5e, 6, 6A and fiber). CABLETEK-EC Vertical Cable Managers are available in single- and double-sided versions.

#### Features

- Universal mounting pattern for 2- and 4-post open-frame racks
- Easy-to-install with self-aligning, self-captivating carriage bolts for single-sided attachment
- Arrowhead supporting fingers provide easy insertion, removal and alignment of Cat 5e, 6, 6A and other cable types
- Deep cable depth provides smooth transition of cables from vertical to horizontal positions
- Large feed-through holes and pre-scored grommets provide cable feed from front to back of cable manager
- Unobstructed cable access for all rack unit locations
- Extra deep cable channel for maximum cable density has multiple cable tie-down points
- Standard front cover, with field installed snap hinges, provides cable access from right, left or neutral

- Double-sided cable manager has three sets of posts and gates which can be positioned as needed to support and contain cables
- Gates can be opened from the left or right and swing open more than 280 degrees
- Additional posts and gates can be added (order separately)
- The single-sided cable manager can be upgraded with CABLETEK Posts and Gates Kits
- CABLETEK Rear Cover accessory is sold separately and is fully field installable; no tools needed

#### Specifications

- Easy-to-remove front cover is multi-formed, light-weight aluminum with high-strength, black composite snap-on hinge points and hinges right, left or neutral
- Cable channel constructed of multi-formed 14 gauge steel
- Arrowhead supporting fingers are high-strength, black composite with all edges rounded
- Rear posts and gates on double-sided models are high-strength, black composite with all edges rounded

#### Finish

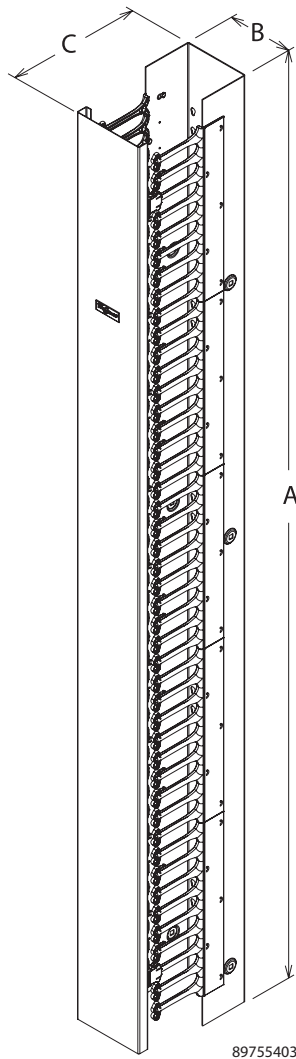
All aluminum and steel components have a black, low-gloss, light-textured RAL 9005 powder-coated finish. All composite parts are provided in matching black.

**Bulletin: DOFRY**

#### Standard Product

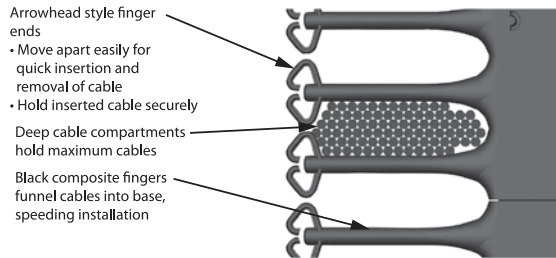
Catalog Number	AxBxC in./mm	Description	Width	Height	RU
EC3S7	84.00 x 3.50 x 11.50	Single Sided	3.5 in.	7 ft.	45
	2134 x 89 x 292				
EC3D7	84.00 x 3.50 x 18.00	Double Sided	3.5 in.	7 ft.	45
	2134 x 89 x 457				
EC6S7	84.00 x 6.00 x 11.50	Single Sided	6 in.	7 ft.	45
	2134 x 152 x 292				
EC6D7	84.00 x 6.00 x 18.00	Double Sided	6 in.	7 ft.	45
	2134 x 152 x 457				

# Open-Frame Rack Cable Managers



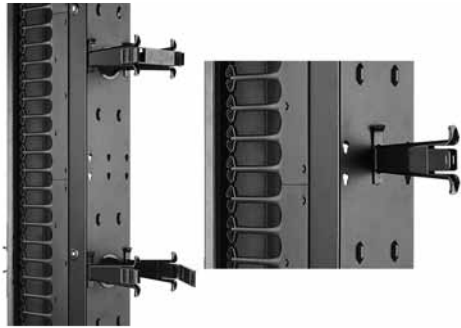
## Cable Fill Chart

Catalog Numbers	Front Capacity @ 60 %	Front Capacity @ 60 %	Front Capacity @ 60 %	Rear Capacity @ 60 %	Rear Capacity @ 60 %	Rear Capacity @ 60 %
Cable Category	5e	6	5A	5e	6B	6A
EC3S7	534	414	287	—	—	—
EC3D7	534	414	287	195	151	105
EC6S7	917	710	493	—	—	—
EC6D7	917	710	493	414	341	236
Arrowhead	85	66	66	—	—	—



## Open-Frame Rack Cable Managers

### CABLETEK™ Post and Gate Kits

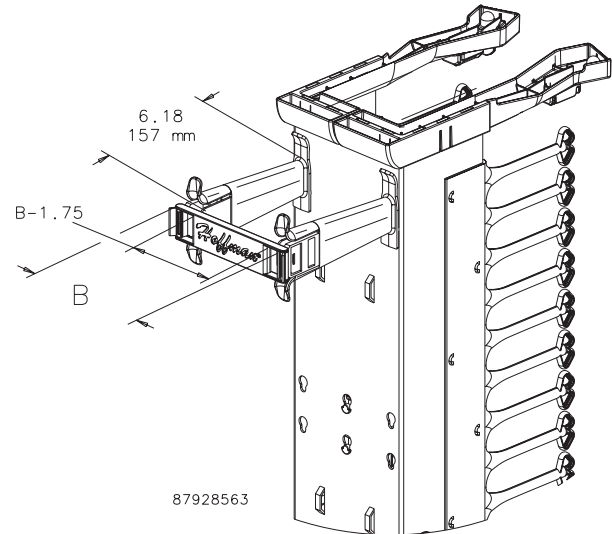


Post and Gate Kits snap together quickly without tools. Each set consists of two posts and one gate. Posts snap into prepunched holes on the backs of all CABLETEK™ Vertical Cable Managers and are easily repositionable without tools. Gates swivel open 280 degrees left or right to allow convenient cable access. When closed, post and gates contain, support and secure large volumes of cables and cable bundles. Molded from black composite material with large radius, these Post and Gates smoothly transition cables from vertical to horizontal positions. Order additional Posts and Gate Kits to add to single- and double-sided cable managers.

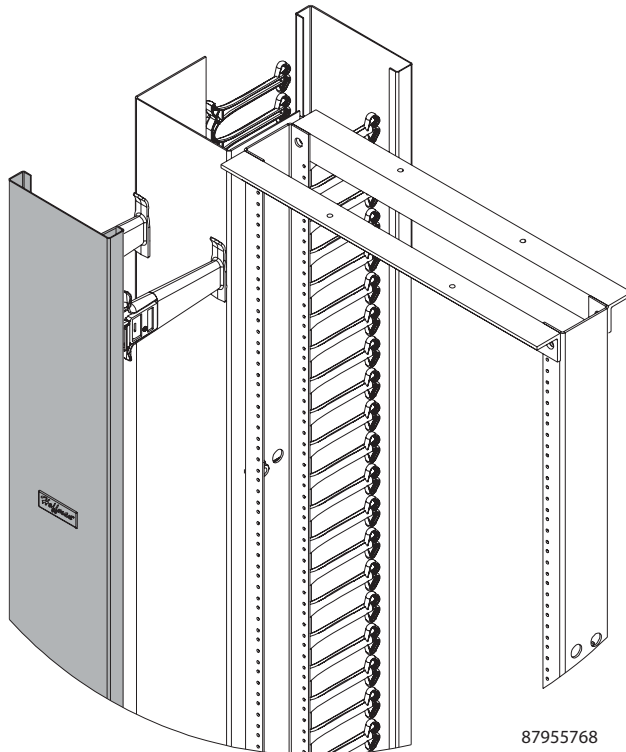
Single posts can be used alone as slack spools on the front side of the cable manager.

**Bulletin: DOFRY**

Catalog Number	Description	B (in.)	B (mm)	Pkg. Qty.
DGP3	Post and Gates	3.00	76	10 sets
DGP6	Post and Gates	6.00	152	10 sets
DGP10	Post and Gates	10.00	254	10 sets
DGP12	Post and Gates	12.00	305	10 sets



### Rear Cover



Rear cover is an accessory for all CABLETEK™ Vertical Cable Managers. For double-sided managers, covers attach to provided post and gates. For single-sided managers, appropriate Post and Gates Kit needs to be ordered.

**Bulletin: DOFRY**

Catalog Number	AxBxC in./mm	Fits
EC3C7	84.00 x 3.50 x 1.00	3.50 x 7.00 in.
	2134 x 89 x 25	
EC6C7	84.00 x 6.00 x 1.00	6.00 x 7.00 in.
	2134 x 152 x 25	
EC10C7	84.00 x 10.00 x 1.00	10.00 x 7.00 in.
	2134 x 254 x 25	
EC12C7	84.00 x 12.00 x 1.00	12.00 x 7.00 in.
	2134 x 305 x 25	

Posts and Gates are required for assembly and to support the rear cover. For single-sided cable managers, order the appropriate Post and Gate accessory kit.



## Open-Frame Rack Cable Managers

**Economy Vertical Cable Manager is an obsolete product. (s-2899)**

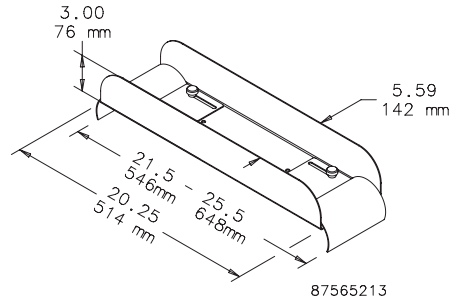
**Economy Vertical Cable Manager is an excluded product. (s-2899)**

### Waterfall Top

For routing cable across the top of an open-frame rack. Provides horizontal-to-vertical transition bend radius for compliant installation of Category 5, 6, 6A and fiber optic cable. Makes a complete cable management system when used with vertical and horizontal cable managers. Mounts on 2- and 4-post open-frame racks. Material is steel with RAL 9005 black polyester powder paint finish.

Bulletin: DOFRY

Catalog Number	Description	Fits Open Frame Rack
EWFT	Waterfall Top	19 in.



87565213

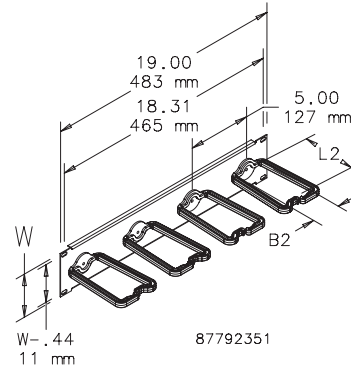
### D-Ring Assembly



Mounts horizontally on 19-in. racks. Allows grouping vertical cable runs. D-Rings rotate on bracket for easy cable positioning; snap open for easy access for cable updates, yet latch securely. Back plate made of steel with RAL 9005 black polyester powder paint finish; D-Rings are black plastic. Mounting hardware included.

Bulletin: DACCY

Catalog Number	Description	B2 in./mm	L2 in./mm	W in./mm	Rack Units
ECM19DR1U	19-in. D-Ring Assembly	1.22 31	2.88 73	1.75 44	1
ECM19DR2U	19-in. D-Ring Assembly	2.22 56	4.42 112	3.50 89	2



87792351

### Tie-Down Panel

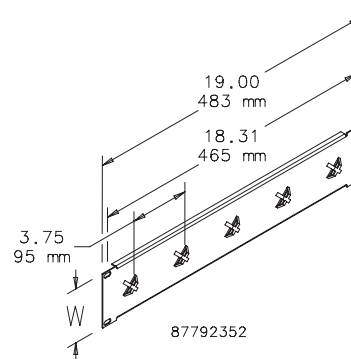


Tie-Down Panels mount horizontally on 19-in. racks. Steel panels with RAL 9005 black polyester powder paint finish have slots for VELCRO® cable wraps. Each panel includes 10 black 8-in. (203-mm) VELCRO cable wraps. Mounting hardware included.

VELCRO is a trademark of Velcro Industries B.V

Bulletin: DACCY

Catalog Number	Description	W in./mm	Rack Units
ECM19TP1U	19-in. Tie-Down Panel	1.75 44	1
ECM19TP2U	19-in. Tie-Down Panel	3.50 89	2



87792352

## Open-Frame Rack Cable Managers

### Tie-Down Rack

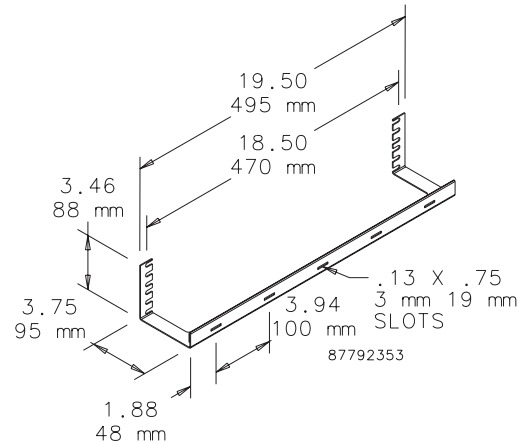


This zero-rack-unit Tie-Down Rack mounts horizontally on 19-in. racks. It takes up minimum space yet effectively controls and separates cable runs. Made of steel with RAL 9005 black polyester powder paint finish. Includes slots for cable wraps. Each rack includes 10 black 8-in. (203-mm) VELCRO® cable wraps. Mounting hardware included.

VELCRO is a trademark of VELCRO Industries B.V.

Bulletin: DACCY

Catalog Number	Description	Rack Units
ECM19TD2U	19-in. Tie Down Rack	0



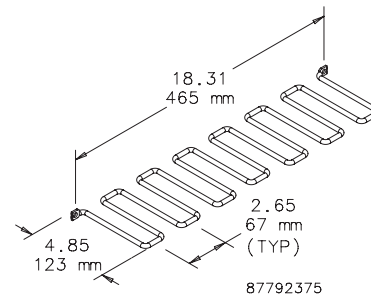
### Wire Form Cable Manager



This cable manager takes up minimum space, but provides excellent cable sorting capability. Designed to mount on top of patch panels, this zero-rack-unit cable manager provides support and control of cables. Made of plated steel. Mounting hardware included.

Bulletin: DACCY

Catalog Number	Description	Use With	Rack Units
EWVC19H	19-in. Wire Form Cable Manager	19-in. racks	0

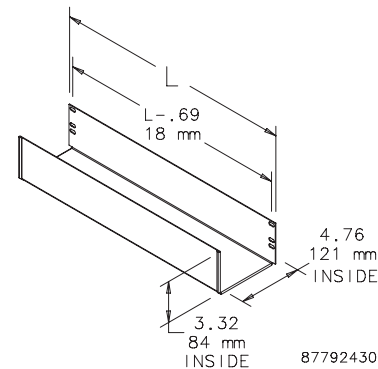


### Cable Trough



Mounts horizontally on 19-in. or 23-in. rack angles to support cables and power cords. Made of steel with RAL 9005 black polyester powder paint finish.

Bulletin: DOFRY



Catalog Number	Description	L in./mm	Rack Units
ECT19	19-in. Cable Trough	19.00 483	2
ECT23	23-in. Cable Trough	23.00 584	2

## Open-Frame Rack Cable Managers

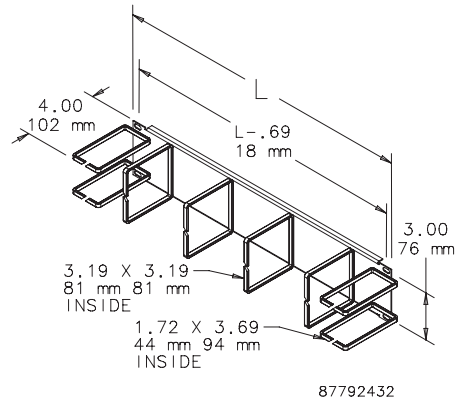
### Cable Manager



Mounts horizontally. For routing and bundling cable on 19-in. or 23-in. racks. Material is steel with RAL 9005 black polyester powder paint finish. Horizontal-Vertical Cable Manager shown.

Bulletin: DACCY, DOFRY

Catalog Number	Description	L in./mm	Rack Units
ECK19H	19-in. Horizontal Cable Manager	19.00 483	2
ECK19HV	19-in. Horizontal-Vertical Cable Manager	19.00 483	2
ECK23HV	23-in. Horizontal-Vertical Cable Manager	23.00 584	2

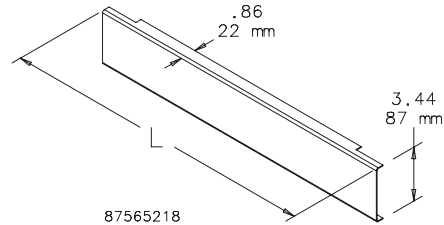


### Horizontal Cable Management Cover

Provides a finished appearance to a 19-in. or 23-in. open-frame rack cable management system. Models snap onto ECK19H, ECK19HV and ECK23HV Cable Managers. Material is steel with RAL 9005 black polyester powder paint finish.

Bulletin: DACCY

Catalog Number	Description	Fits Horizontal Cable Manager	L in./mm
ECKCVR19	19-in. Cable Manager Cover	ECK19H, ECK19HV	19.00 483
ECKCVR23	23-in. Cable Manager Cover	ECK23HV	23.00 594



### Horizontal Cable Manager Bar

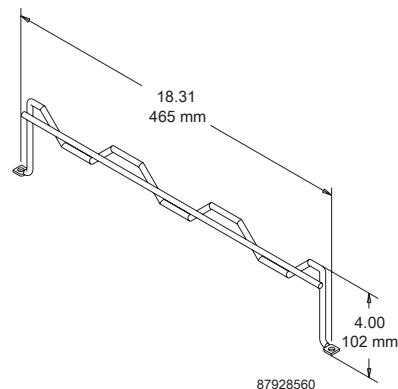


Supports cables between vertical and horizontal cable managers. Designed for use with VELCRO® cable ties. Angled tie-off surfaces allow cable to follow natural flow and maintain proper bend radius. Can be installed behind patch panels to support large permanent link cable bundles. Can also be installed on top of patch panels as a zero-RU manager to separate and control patch cables. Made of steel with a black finish. Secures standard cables, including CAT 5e, 6 and 6A cables. Meets EIA 310-D standard. Includes mounting fasteners.

VELCRO is a trademark of VELCRO Industries B.V.

Bulletin: DACCY

Catalog Number	Description	Rack Units
DCHB1	Horizontal Cable Manager Bar	1



## Cabinet and Rack Cable Managers

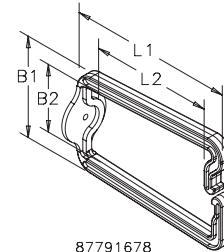
### D-Ring Cable Managers



D-Rings, made of black plastic, can be used to manage cables horizontally, vertically or as they transition. Snap feature allows easy cable access as well as forming a tightly closed connection. Package includes 10 rings and 10 mounting screws.

Bulletin: DACCY

Catalog Number	B1 in./mm	B2 in./mm	L1 in./mm	L2 in./mm	Pkg. Qty.
ECM3DR10	1.72 44	1.22 31	3.50 89	2.88 73	10
ECM6DR10	3.00 76	2.22 56	5.33 135	4.42 112	10



87791678

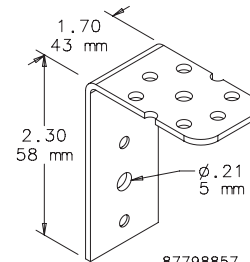
### Universal D-Ring Bracket



Mounts D-Ring (order separately) on PROLINE® or Network Vertical Tie-Down Cable Manager, PROLINE Front-to-Back D-Ring Bracket or grid strap. D-Ring locks into hole provided. Made of steel coated with RAL 9005 black polyester powder paint. Includes mounting hardware.

Bulletin: DACCY

Catalog Number	Description	Pkg. Qty.
EDRBK10	D-Ring mounting bracket	10



87798857

### Fiber Management Spool

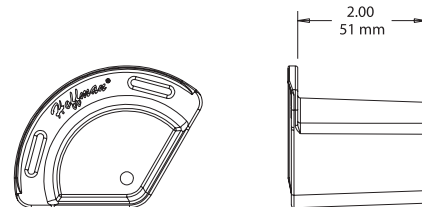


Fiber Management Spools mount inside the cabinet and help maintain proper bends when routing cable. Molded of black plastic. Includes thread-forming M5 mounting screws. Slots provided on flange for VELCRO® cable wrap.

VELCRO is a trademark of Velcro Industries B.V.

Bulletin: DTX

Catalog Number	Radius (in.)	Radius (mm)	Pkg. Qty.
TOPTKSPL	1.18	30	4



87951339

## Cabinet and Rack Cable Managers

### Universal Transition Bracket

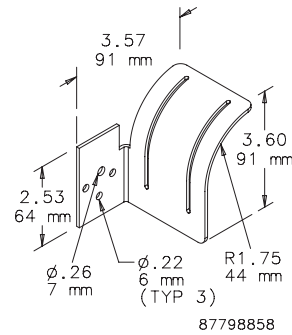


Provides support for cable in transitions between horizontal and vertical routing. Mounts to strut, grid strap or PROLINE® and Network Vertical Tie-Down Cable Managers. Can be used with VELCRO® Cable Wrap (order separately). Made of steel coated with RAL 9005 black polyester powder paint. Includes mounting hardware.

VELCRO is a trademark of Velcro Industries B.V.

Bulletin: DACCY

Catalog Number	Description	Pkg. Qty.
ETRB8	Horizontal or vertical transition	8



### Cable Spools



Spools maintain minimum cable radius and direct cable. Fasten easily to Heavy Duty or Seismic racks with a single screw. Can also be used with patch panels, grid straps or plywood walls for general cable management. Mounting screws included.

Bulletin: DACCY

Catalog Number	Height (in.)	Usable Height (mm)	Material	Pkg. Qty.
PSP00L	1.44	37	ABS, UL-V0 rated	10
P4SP00L	3.81	97	ABS, UL-V0 rated	10

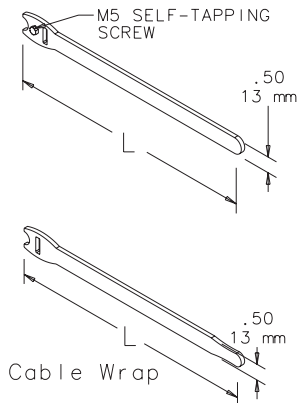
### VELCRO® Cable Wrap



Securely holds cable to cable manager and unfastens easily for cable maintenance. VELCRO® is 0.5-in. (12.7-mm) wide. Available in 8- and 12-in. (203- and 305-mm) lengths in both screw fastener and wrap styles. M5 self-tapping screw is used on Net Series or PROLINE® frames.

VELCRO is a trademark of Velcro Industries B.V.

Bulletin: DACCY



Catalog Number	Description	L (in.)	L (mm)	Color	Pkg. Qty.
ECWTD8B	Screw fastener style. Includes M5 mounting screw.	8.00	203	Black	10
ECWTD12B	Screw fastener style. Includes M5 mounting screw.	12.00	305	Black	10
ECW8B	Wrap style	8.00	203	Black	10
ECW8R	Wrap style	8.00	203	Red	10
ECW8BL	Wrap style	8.00	203	Blue	10
ECW8Y	Wrap style	8.00	203	Yellow	10
ECW12B	Wrap style	12.00	305	Black	10
ECW12R	Wrap style	12.00	305	Red	10
ECW12BL	Wrap style	12	305	Blue	10
ECW12Y	Wrap style	12	305	Yellow	10

## Power Distribution Units (PDUs)

### Rack- and Panel-Mount Power Distribution Units (PDUs)



#### Features

- Power on/off LED indicates whether power is available at the PDU
- External ground stud provided on single-phase models for secure grounding
- Circuit breakers provide additional equipment protection
- Circuits are isolated on dual circuit model; each has its own circuit breaker
- Reset button provides easy access to circuit breaker reset
- Surge protector models have an indicator LED to verify surge circuitry protection
- Rack-mount models mount directly to rack or with adapter bracket
- Rack-mount models designed for single-phase applications
- Panel-mount models can be mounted flush or with hanging bracket
- Panel-mount models available for both one- and three-phase applications
- Three-phase models have three 20 A, double-pole magnetic breaker/switches with an integral switch guard

#### Industry Standards

UL/cUL 60950 listed  
UL 1449 (Surge protector models only)

EIA 310-D (19-in. rack-mount models only)

#### Application

Rack- and Panel-Mount PDUs not only provide convenient, reliable power to equipment mounted in cabinets or on open frame racks, they can also be configured to meet a wide range of design specifications.

#### Specifications

- Steel housing
- Power cord with molded-on plug:
  - 12-in. (305-mm) long single-phase model: 6 ft. (1.8 m)
  - Other single-phase models: 15 ft. (4.6 m)
  - Three-phase models: 10 ft. (3 m)

**Contact Hoffman for custom modifications and non-standard offerings.**

#### Finish

Black, low-gloss textured paint.

**Bulletin:** DPS

#### Standard Product **Single-Phase Rack-Mount**

Catalog Number	Surge Protection	Amp Meter	Load Rating	Voltage (VAC)	Joule Rating	Receptacle Location	No. of Receptacles	Receptacle Style	Power Cord Plug	Rack Units
DP1N190615	No	No	15A	120	—	Front	6	NEMA 5-15R	NEMA 5-15P	1
DP1N191415	No	No	15A	120	—	6 front, 8 back	14	NEMA 5-15R	NEMA 5-15P	1
DP1N191415M	No	Yes	15A	120	—	6 front, 8 back	14	NEMA 5-15R	NEMA 5-15P	1
DP1N191015S	Yes	No	15A	120	2000	2 front, 8 back	10	NEMA 5-15R	NEMA 5-15P	1
DP1N191020	No	No	20A	120	—	2 front, 8 back	10	NEMA 5-20R	NEMA 5-20P	1
DP1N191020S	Yes	No	20A	120	2000	2 front, 8 back	10	NEMA 5-20R	NEMA 5-20P	1
DP1N191020ST	Yes	No	20A	120	2000	2 front, 8 back	10	NEMA 5-20R	NEMA L5-20P Twist Lock	1
DP1N191420	No	No	20A	120	—	6 front, 8 back	14	NEMA 5-20R	NEMA 5-20P	1
DP1N191420T	No	No	20A	120	—	6 front, 8 back	14	NEMA 5-20R	NEMA L5-20P Twist Lock	1
DP1N190430X	No	No	30A	120	—	4 front, 4 back	8	Front, NEMA 5-15R - 15A; Back, NEMA L5-30R-30A	NEMA L5-30P Twist Lock	2

Isolated circuits on dual-circuit models with separate circuit breakers.

#### Plugs and Receptacles

NEMA Type	Plug	Receptacle
NEMA 15 Amp, 120V, Duplex	5-15P 	5-15R 
NEMA 20 Amp, 120V, Duplex	5-20P 	5-20R 
NEMA 20 Amp, 120V, Twist Lock	L5-20P 	L5-20R 
30 Amp, 120/208V Wye, Twist Lock	L21-30P 	L21-30R 

IEC Type	Inlet	Outlet
IEC 15 Amp, 125/250V	C-14 	C-13 
IEC 20 Amp, 125/250V	C-20 	C-19 

87922518

## Power Distribution Units (PDUs)

### Standard Product Single-Phase Vertical-Mount

Catalog Number	Length (in.)	Length (mm)	Surge Protection	Amp Meter	Load Rating	Voltage (VAC)	Joule Rating	No. of Receptacles	Receptacle Style	Power Cord Plug
DP1N120615	12.00	305	No	No	15A	120	—	6	NEMA 5-15R	NEMA 5-15P
DP1N160620S	16.00	406	Yes	No	20A	120	2000	6	NEMA 5-20R	NEMA 5-20P
DP1N481815	48.00	1219	No	No	15A	120	—	18	NEMA 5-15R	NEMA 5-15P
DP1N622415	62.00	1575	No	No	15A	120	—	24	NEMA 5-15R	NEMA 5-15P
DP1N622420	62.00	1575	No	No	20A	120	—	24	NEMA 5-20R	NEMA 5-20P
DP1N622420T	62.00	1575	No	No	20A	120	—	24	NEMA 5-20R	NEMA L5-20P Twist Lock
DP1N622420M	62.00	1575	No	Yes	20A	120	—	24	NEMA 5-20R	NEMA 5-20P
DP1N622420MT	62.00	1575	No	Yes	20A	120	—	24	NEMA 5-20R	NEMA L5-20P Twist Lock
DP1N622040DT	62.00	1575	No	No	20A per circuit	120	—	20, 10 per circuit, dual circuit	NEMA 5-20R	NEMA L5-20P Twist Lock
DP1E2663030MT	66.00	1676	No	Yes	30A	250	—	30	24 IEC C-13, 6 IEC C-19	NEMA L6-30P Twist Lock

Isolate circuits on dual circuit models with separate circuit breakers.

DP1E2663030MT is Ethernet metered; SNMP trap provides remote current monitoring via Ethernet.

### Standard Product Three-Phase Vertical-Mount

Catalog Number	Length (in.)	Length (mm)	Amp Meter	Load Rating	Voltage (VAC)	No. of Outlets per Phase	Total Outlets per PDU	Required Inlet Style	Power Cord Plug
DP3E662490T	66.00	1676	No	30A	208	8 IEC C-13 and 2 IEC C-19	24 IEC C-13 and 6 IEC C-19	IEC C-14 and C-20	NEMA L21-30P Twist Lock
DP3E662490MT	66.00	1676	Yes	30A	208	8 IEC C-13 and 2 IEC C-19	24 IEC C-13 and 6 IEC C-19	IEC C-14 and C-20	NEMA L21-30P Twist Lock
DP3E2663635MT	66.00	1676	Yes	35A	250	10 IEC C-13, 2 IEC C-19	30 IEC C-13, 6 IEC C-19	IEC C-14 and C-20	CA style 50A 250 Vac Twist Lock

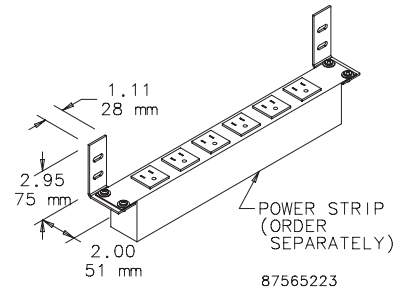
DP3E2663635MT is Ethernet metered; SNMP trap provides remote current monitoring via Ethernet.

### Rack-Mount PDU Bracket

Allows rack-mount power strips to be mounted to cabinet sides without using up rack space. Made of plated steel. Includes two brackets and mounting hardware. Order power strip separately.

Bulletin: DPS

Catalog Number	Finish	Pkg. Qty.
A19PSMB	Plated	2 brackets



### Universal Power Strip Bracket



This bracket fits in the corner of the frame of all PROLINE® cabinets and facilitates mounting a variety of power strips.

Bulletin: DACCY

Catalog Number	Description
EPDUBK	Universal Power Strip Bracket fits all PROLINE cabinets

### IEC Cord Sets



Cord sets help minimize cord tangle, increasing airflow to equipment.

Bulletin: DPS

Catalog Number	Description	Pkg. Qty.
DP5E	0.5-m (1.64-ft.) IEC patch cord, 18/3 SJT Black, C-14 to C-13	10
DP10E	1-m (3.28-ft.) IEC patch cord, 18/3 SJT Black, C-14 to C-13	10

### IEC C-13 Retaining Clip



Secures the IEC C-14 inlet into the C-13 outlet. Helps to prevent inadvertently unplugging the cord set.

Bulletin: DPS

Catalog Number	Description	Pkg. Qty.
DPCLIP	IEC C-13 Retaining Clip	10

## Power Distribution Units (PDUs)

### Smart Power Distribution Unit and Environmental Monitor

#### Industry Standards

ANSI/UL 60950 Listed, File No. E214832  
 cUL Listed CAN/CSA-C22.2 No. 60950, File No. E214832

EIA 310-D (19-in. rack-mount models only)

#### Application

Used in applications that require remote monitoring and control, Smart PDU monitors and accessories provide feedback and diagnostic information via a web browser to a remote location. System administrators can set remote displays, audible alarms, SNMP traps and/or e-mail notification options to monitor the system and generate alarm notifications.

#### Features

- 10-ft. power cord with straight-blade plug (5-20P), software reset button and indicator lights standard on PDUs
- Log data available for export to XML and real-time PDA and WAP screen formats
- Multiple users can access simultaneously; access protected with multi-level passwords and view-only access privilege setting
- Supports DHCP, HTML, HTTPS, ICMP, SNMP, static IP, SMTP, SSL, TCP/IP, Telnet, TLS, UDP and XML protocols
- Accessory sensors can be added at any time
- Remote sensors include temperature, airflow, humidity, door position, water, smoke, air pollution and city power

#### Specifications

- Steel housing
- Includes mounting brackets

#### Finish

Black, low-gloss textured paint

#### PDU Selection Guide

Type	Built-in Environmental Sensors	Built-in Power Sensors	Max. Number of Remote Sensors	Connectors	Power Monitoring	Power Control	Display	Indicator Lights
Control PDU	No	Volts RMS: 80-280 VAC	15	Two RJ11/RJ12 jacks	Yes	Yes	Remote available	Power on, Activity, Idle
Master PDU	Temperature, humidity, airflow, sound, light	Volts RMS: 80-280 VAC	16	Four RJ11/RJ12 jacks, three I/Os	Yes	No	Remote available	Power on, Activity, Idle
Satellite PDU	No	Volts RMS: 80-280 VAC	16	Four RJ11/RJ12 jacks	Yes, reports through master PDU	No	Remote available	Power on, Activity

### Control PDU



Provides circuit-level power monitoring and remote on-off control of individual outlets to avoid accidental overloads

- Facilitates remote rebooting of controlled equipment to minimize emergency service calls
- Can be used alone or in combination with satellite PDUs and environmental sensors
- Vertical model has 16 15 A, 125 VAC outlets
- 19-in. rack-mount model has 8 20 A, 125 VAC outlets
- Two RJ11/RJ12 jacks can connect up to 15 remote sensors using accessory 5-way splitters
- 10/100 Ethernet connection jack

**Bulletin:** DPS

Catalog Number	Type	Voltage (VAC)	Load Rating (A)	Height in./mm	Width in./mm	Depth in./mm	No. of Receptacles	Receptacle Style
DPC1N119820	Control PDU, 19-in. Rack-Mount	125	20	1.72 44	17.00 432	8.50 216	8	5-20R
DPC1N1661615	Control Unit, Vertical	125	15	66.25 1683	3.10 79	2.00 51	16	5-15R



## Power Distribution Units (PDUs)

### Master PDU



Provides power distribution plus power and environmental monitoring in a single standalone unit.

- Can be used alone or in combination with satellite PDUs and environmental sensors
- Vertical model has 24 20 A outlets at 125 or 250 VAC, depending on model
- 19-in. rack-mount model has ten 20 A, 125 or 250 VAC outlets, depending on model
- Includes internal environmental and power sensors
- Four RJ11/RJ12 jacks can connect up to 16 remote sensors using the accessory 5-way splitter
- Three I/O ports for 0-5 VDC analog or contact closure
- 10/100 Ethernet connection jack

Bulletin: DPS

Catalog Number	Type	Voltage (VAC)	Load Rating (A)	Height (in.)	Height (mm)	Width (in.)	Width (mm)	Depth (in.)	Depth (mm)	No. of Receptacles	Receptacle Style
DPM1N1191020	Master PDU, 19-in. Rack-Mount	125	20	1.72	44	17.00	432	2.00	51	10	5-20R
DPM1N1662420	Master PDU, Vertical	125	20	66.25	1683	2.00	51	4.50	114	24	5-20R
DPM1N2191020	Master PDU, 19-in. Rack-Mount	250	20	1.72	44	17.00	432	2.00	51	10	6-20R
DPM1N2662420	Master PDU, Vertical	250	20	66.25	1683	2.00	51	4.50	114	24	6-20R

### Satellite PDU



Provides expansion capability for the Smart PDU system. Satellite PDUs can be daisy-chained together using RJ11/RJ12 jacks.

- Must be used with a master PDU, control PDU or environmental monitor
- Vertical model has 20 20A, 125 or 250 VAC outlets, depending on model
- 19-in. rack-mount model has ten 20 A, 125 or 250 VAC outlets, depending on model
- Includes internal power sensors
- Four RJ11/RJ12 jacks can connect up to 16 remote sensors using the accessory 5-way splitter
- RJ11/RJ12 jacks can be used to connect to master PDU, other satellites in a daisy-chain configuration, control PDU, environmental monitor or external sensors

Bulletin: DPS

Catalog Number	Type	Voltage (VAC)	Load Rating (A)	Height (in.)	Height (mm)	Width (in.)	Width (mm)	Depth (in.)	Depth (mm)	No. of Receptacles	Receptacle Style
DPS1N1191020	Satellite PDU, 19-in. Rack-Mount	125	20	1.72	44	17.00	432	4.50	114	10	5-20R
DPS1N1662420	Satellite PDU, Vertical	125	20	66.25	1683	2.00	51	2.00	51	20	5-20R
DPS1N2191020	Satellite PDU, 19-in. Rack-Mount	250	20	1.72	44	17.00	432	4.50	114	10	6-20R
DPS1N2662420	Satellite PDU, Vertical	250	20	66.25	1683	2.00	51	2.00	51	20	6-20R

## Power Distribution Units (PDUs)

### 19-in. Rack-Mount Environmental Monitor



Reports power and environmental data reported by internal and by remote sensors connected directly or to satellite PDUs.

- Mounts conveniently with other 19-in. rack-mounted equipment
- Easy-to-read LCD display provides real-time readouts
- Includes five RJ11/RJ12 jacks
- Can connect up to 16 remote environmental sensors and satellite PDUs using accessory 5-way splitters
- Internal temperature sensor
- 10/100 Ethernet connection jack
- 6 VDC power supply with 10-ft. (1.1-m) cord included

**Bulletin:** DTHRM

#### Standard Sizes

Catalog Number	Type	Voltage (VDC)	Height in./mm	Width in./mm	Depth in./mm
DE19B	Environmental Monitor, 19-in. Rack-Mount	6	1.61 41	17.00 432	1.61 41

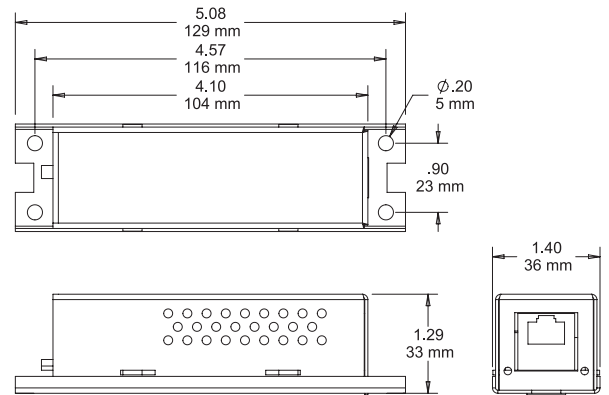
### Compact Environmental Monitor



**Bulletin:** DTHRM

Only 1/3 the size of the rack-mount environmental monitor, it reports the same power and environmental data collected by the internal temperature sensor and by remote sensors connected directly or to satellite PDUs.

- Ideal for wall-mounted and other small cabinet applications where space is limited
- Includes one RJ11/RJ12 jack
- Can connect up to 16 remote environmental sensors and satellite PDUs using accessory 5-way splitters
- Internal temperature sensor
- 10/100 Ethernet connection jack
- 6 VDC power supply with 10-ft. (1.1-m) cord included



87931053

Catalog Number	Voltage (VDC)	Height in./mm	Width in./mm	Depth in./mm
DEPC	6	1.50 38	5.25 133	1.50 38

#### Environmental Monitor Selection Guide

Type	Built-in Environmental Sensors	Built-in Power Sensors	Max. Number of Remote Sensors	Connectors	Power Monitoring	Power Control	Display	Indicator Lights
19-in. Environmental Monitor	Temperature, airflow, humidity, sound, light	No	16	Five RJ11/RJ12 jacks, three I/Os	Yes, via satellite PDU	No	Built-in display	Power on, Activity, Idle
Compact Environmental Monitor	Temperature	No	16	One RJ11/RJ12 jack	Yes, via satellite PDU	No	No	No

## Power Distribution Units (PDUs)

### Remote Temperature Sensor



Monitors temperature at the selected location.  
 Temperature Range:  
 -67 F to +175 F, ±0.9 F  
 (-55 C to +79 C, ±0.5 C)

Bulletin: DTHRM

Catalog Number	Cable Length (ft.)	Cable Length (m)	Terminal Connection
DST	12.00	3.7	RJ11/RJ12

### Remote Door Position Sensor



Magnetic sensor monitors cabinet door position. Can turn on alarm when the monitored cabinet has been opened. Range: Unitless readings 0-99. Low reading means door is closed; high reading means it is open.

Bulletin: DTHRM

Catalog Number	Cable Length (ft.)	Cable Length (m)	Terminal Connection
DSD	30.00	9.1	I/O port

### Remote Water Sensor



Detects water at the sensor location. Can turn on alarm when water is detected. Range: Unitless readings 0-99. Low reading means sensor location is dry; high reading means sensor location is wet.

Bulletin: DTHRM

Catalog Number	Cable Length (ft.)	Cable Length (m)	Terminal Connection
DSW	20.00	6.1	I/O port

### Web-Enabled Camera with Motion Detection



Sends continuous live video stream to web address. When motion detector is activated, sends e-mail alert and still images to local hard drive via web browser. Captures video in light levels as low as 1 lux. Connects to Ethernet port on customer-supplied switch. Ethernet cable not included.

Bulletin: DTHRM

Catalog Number	Terminal Connection
DWCM	RJ45

### Smoke Alarm Kit



Smoke alarm with 5-15P plug and interface module. Provides audible alarm notification; can provide e-mail notification. Range: Unitless readings 0-99. Low reading means alarm location is smoke-free; high reading means smoke is present.

Bulletin: DTHRM

Catalog Number	Cable Length (ft.)	Cable Length (m)	Terminal Connection
DSSK	30	9.1	5-15R receptacle

## Power Distribution Units (PDUs)

### City Power Monitor



Connects directly to city power feed via standard outlet; alerts when city power fluctuates. Ideal for down-time prevention when PDUs are connected directly to an uninterruptible power supply (UPS). Provides advance warning to prevent backup battery exhaustion. Range: Unitless readings 0-99. Low reading means power is off; reading greater than 50 means power level is normal.

Bulletin: DTHRM

Catalog Number	Cable Length (ft.)	Cable Length (m)	Terminal Connection
DSCP	4.00	1.2	I/O port

### Remote Display



Connects to control unit or master PDU and mounts outside the cabinet to provide at-a-glance viewing of user-selected readouts. Built-in audible alarm.

Bulletin: DTHRM

Catalog Number	Cable Length (ft.)	Cable Length (m)	Terminal Connection
DRD	10.00	3.0	RJ11/RJ12

### 5-Way Splitter



Allows 5 remote sensors to connect to one RJ11/RJ12 receptacle on a PDU, Control Unit or Environmental Monitor.

Bulletin: DTHRM

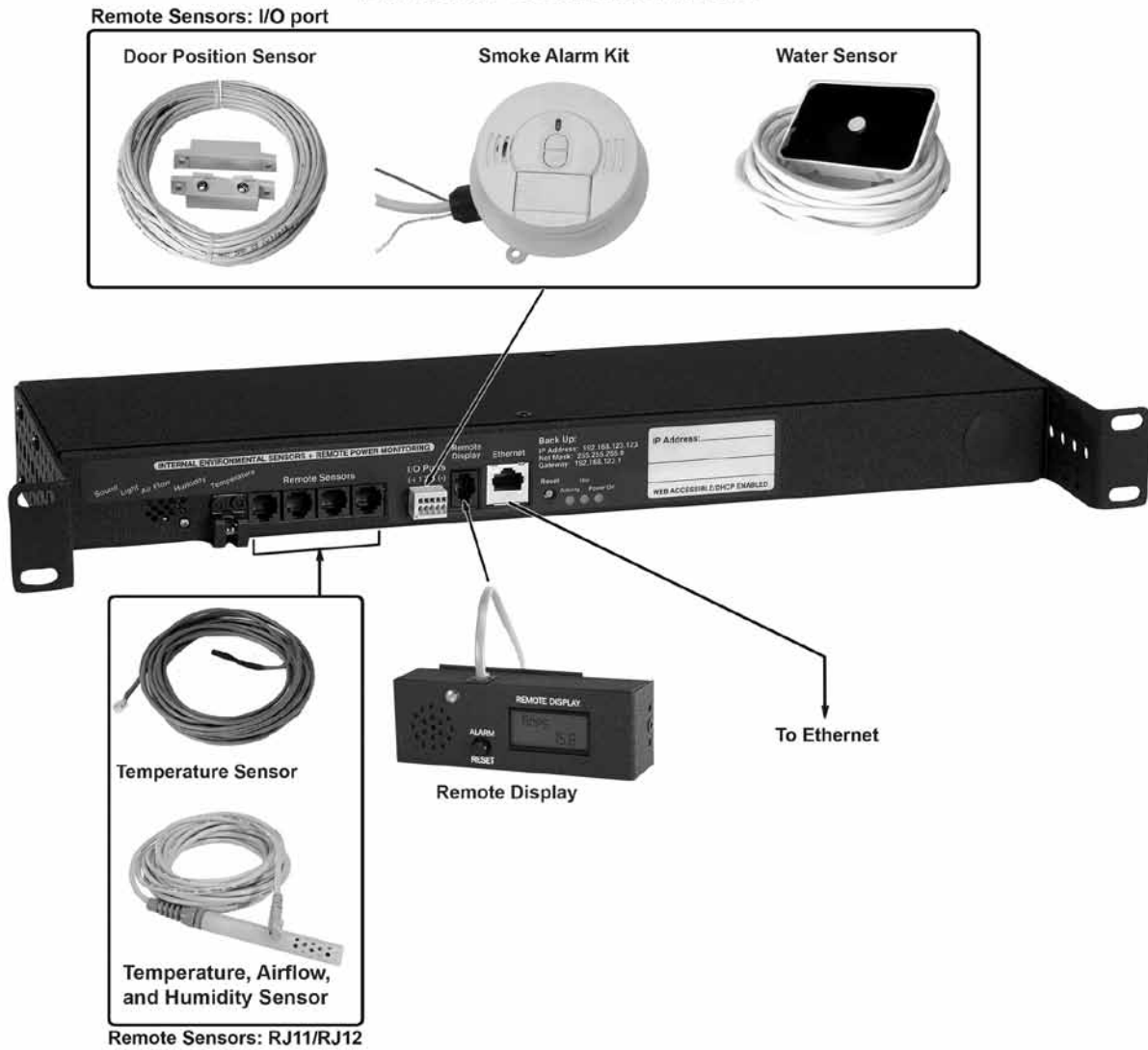
Catalog Number	Description	Terminal Connection
DSPLIT	5-Way Splitter	RJ11/RJ12

## Power Distribution Units (PDUs)

### Sensor Connection Summary

Remote Sensor Catalog Number	Description	RJ11 / RJ12	I/O Port	RJ45
DST	Temperature Sensor	•		
DSTA	Temperature and Airflow Sensor	•		
DSTAH	Temperature, Airflow and Humidity Sensor	•		
DSD	Door Sensor		•	
DSW	Water Sensor		•	
DWCM	Web-enabled Camera with Motion Detection			• Connects to network port
DSSK	Smoke Alarm Kit		•	
DSCP	City Power Monitor		•	
DPS	Satellite PDU	•		

### Sensor Connections



## Power Distribution Units (PDUs)

### Smart PDU Software Application

The complete PDU and environmental monitoring system can be programmed and controlled online from a computer, PDA or WAP terminal.

- Integral software interfaces with the remote display and web camera
- Time is automatically set via internet time servers
- Static IP for viewing by web browser
- DHCP IP assignments

### Network Protocols Supported

- DHCP
- HTTPS (SSL/TLS)
- SMTP/POP3
- HTTP
- ICMP
- TCP/IPMP

### Data Access Formats

- HTML
- CVS/Plain Text
- WAP
- PDA-formatted HTML
- SNMP
- Telnet
- XML

On the Display page —

- Assign meaningful names to units and sensors

On the Control page —

- Turn outlets on and off

On the Logs page —

- Set parameters to view as graph and time frame
- Set logging frequency
- Set parameters to view on remote display
- Download raw log data

On the Alarms page —

- Set alarm thresholds
- Set alarming options
- View event log

On the Configuration page —

- Set unit IP, security, email, SNMP, camera views, name, password, and device information

**DPM Monitor**

IP **67.53.165.61**

Address:

Date: Wed, 22 Aug 12:06:40 PM

**DPM™ v2.67**

Alternate Formats:  
PDA | WAP | XML | MIB

A Pentair Company

On the Sensors Page —

- View real-time parameter values
- View log history graphs
- View added sensors, automatically detected and graphed

**Sensors** | **Logs** | **Display** | **Alarms** | **Control** | **Configuration**

Screen refreshes automatically every 60 seconds.

Choose screen format

**DPM Monitor** ID 0159D6BD0F000014

Temperature	79.38°F	
Relative Humidity	41%	
Air Flow	56	
Light Level	96	
Sound Level	0	
IO-1	98	
IO-2	98	
IO-3	99	
Volts	119.1 V <sub>rms</sub>	
Volts (Peak)	119.2 V <sub>rms</sub>	
Amps	0.0 A <sub>rms</sub>	
Amps (Peak)	0.0 A <sub>rms</sub>	
Real Power	0.0 W	
Apparent Power	0.0 W	
Power Factor	100.0%	

**Alternate Formats**

[Small Version](#) (for PDA's and other small screens)  
[WAP Version](#) (for cell phones and other WAP-enabled devices)  
[XML](#) (for importing data into other applications)

Admin:  
 Support: [dataservice@hoffmanonline.com](mailto:dataservice@hoffmanonline.com) or call 763.422.2661  
 Copyright © 2003-7 Hoffman Enclosures, Inc. All Rights Reserved.

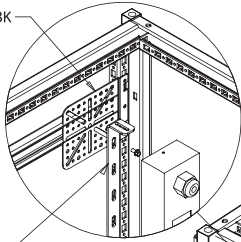
# Power Distribution Units (PDUs)

## Smart PDU Component Application

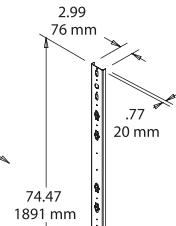
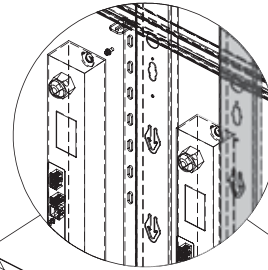
Remote sensors and displays, environmental monitors and smoke alarms help to build a system that fits the unique requirements of each individual installation.

### Vertical PDU Mounting Options

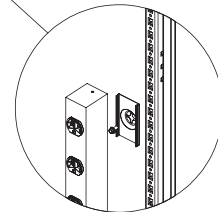
EPDUBK



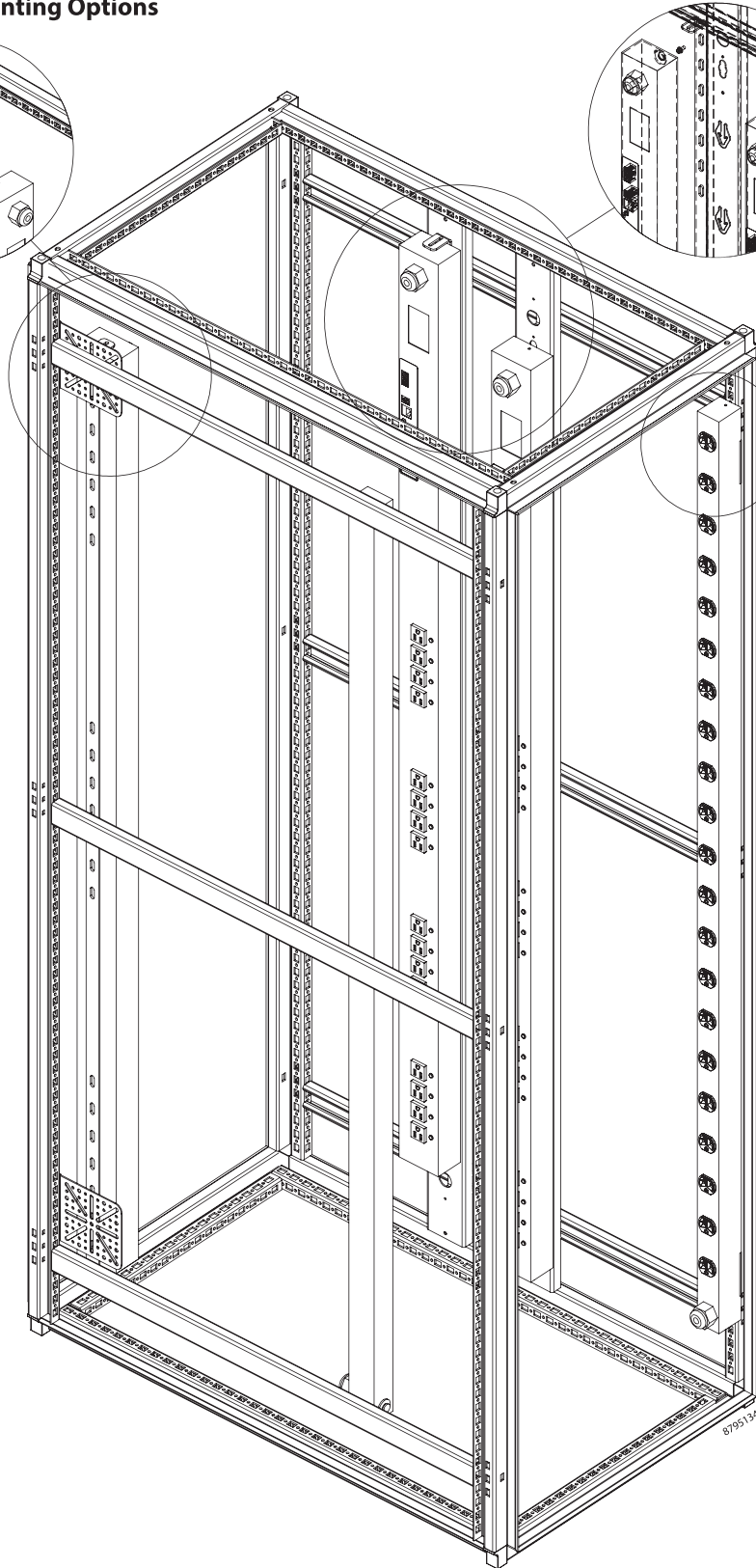
Bracket provided with PDUs 66 in./1676 mm and greater in length.



PVCPM20



Bracket provided for Vertical PDUs 12 in./305 mm to 62 in./1575 mm in length.



87951341

# Power Distribution Units (PDUs)

## Horizontal PDU Mounting Options

